

SLIDING DOORS SECTION

ALUMINUM SLIDING GLASS DOORS

PART 1 GENERAL

1.1 SECTION INCLUDES

- A. Aluminum sliding glass doors - top hung.
- B. Aluminum sliding glass doors - bottom roller supported.

1.2 REFERENCES

- A. American Architectural Manufacturers Association (AAMA):
 - 1. AAMA/NWWDA 101/I.S. 2-97 - Voluntary Specification, Performance Requirements and Test Procedures for Air Leakage Resistance, Water Penetration Resistance, Structural Loading, Forced Entry Resistance.
- B. ASTM International (ASTM):
 - 1. ASTM E 283 - Test Method for Determining the Rate of Air Leakage Through Exterior Windows, Curtain Walls, and Doors under Specified Pressure Differences across the Specimen.
 - 2. ASTM E 331 - Test Method for Water Penetration of Exterior Windows, Curtain Walls, and Doors by Uniform Static Air Pressure Difference.
 - 3. ASTM E 1886 - Standard Test Method for Performance of Exterior Windows, Curtain Walls, Doors, and Impact Protective Systems Impacted by Missile(s) and Exposed to Cyclic Pressure Differentials.
 - 4. ASTM E 1996 - Standard Specification for Performance of Exterior Windows, Curtain Walls, Doors and Impact Protective Systems Impacted by Windborne Debris in Hurricanes.

1.3 SUBMITTALS

- A. Submit under provisions of applicable Requirements.
- B. Product Data: Manufacturer's data sheets on each product to be used, including:
 - 1. Provide AAMA test report in its entirety complete with drawing pages that show sill configuration tested.
 - 2. Storage and handling requirements and recommendations.
 - 3. Provide installation instructions, preparation instructions and recommendations.
- C. Shop Drawings:
 - 1. Provide drawings showing each configuration.
- D. Selection Samples: For each finish product specified, two complete sets of color chips representing manufacturer's full range of available colors and patterns.
 - 1. Provide color samples of available finishes.
 - a. Provide hardware samples.
- E. Verification Samples: For each finish product specified, two samples, minimum size 6 inches (150 mm) square representing actual product, color, and patterns.
 - 1. Provide color samples of specified finish.
 - a. Provide hardware samples.

1.4 QUALITY ASSURANCE

- A. Manufacturer Qualifications: Minimum 5 year experience manufacturing similar products.
- B. Installer Qualifications: Minimum 2 year experience installing similar products.
- C. Mock-Up: Provide a mock-up for evaluation of surface preparation techniques and application workmanship.
 - 1. Finish areas designated by Architect.
 - 2. Do not proceed with remaining work until workmanship is approved by Architect.
 - 3. Refinish mock-up area as required to produce acceptable work.

1.5 PRE-INSTALLATION MEETINGS

- A. Convene minimum two weeks prior to starting work of this section.

1.6 DELIVERY, STORAGE, AND HANDLING

- A. Deliver and store products in manufacturer's unopened packaging bearing the brand name and manufacturer's identification until ready for installation.
- B. Handling: Handle materials to avoid damage.

1.7 PROJECT CONDITIONS

- A. Maintain environmental conditions (temperature, humidity, and ventilation) within limits recommended by manufacturer for optimum results. Do not install products under environmental conditions outside manufacturer's recommended limits.

1.8 SEQUENCING

- A. Ensure that products of this section are supplied to affected trades in time to prevent interruption of construction progress.

PART 2 PRODUCTS

2.1 MANUFACTURERS

- A. Acceptable Manufacturer: PRL Glass Systems, Inc., which is located at: 13644 Nelson Ave.; City of Industry, CA 91746; Toll Free Tel: 800-433-7044; Fax: 626-968-9256; Email:[request info \(info@prlglass.com\)](mailto:requestinfo@prlglass.com); Web:prlglass.com
- B. Substitutions: Not permitted.
- C. Requests for substitutions will be considered in accordance with provisions of Section 01 60 00 - Product Requirements.

2.2 ALUMINUM SLIDING GLASS DOORS - TOP HUNG

- A. Product: Max Slider - Cabo Series as manufactured by PRL Glass Systems, Inc.
- B. Hardware:
 - 1. Locks shall be stainless steel.
 - 2. Pull handles shall be stainless steel, aluminum or brass/bronze.
 - 3. Trolley Wheels:
- C. Performance:
 - 1. Rating: Provide Sliding Aluminum doors for exterior use that have a minimum AAMA - 101 rating of R-PG15-SD when the sill height is less than 5/8 inch (16 mm). Gateway

ALUM. SLIDERS - 2

- Size: 87 inches by 84 inches (2210 mm by 2134 mm).
2. Air Infiltration: Limit air leakage through fixed glazing and frames to 0.28 cfm/ft²/min (1.50 L/s/m²) when tested in accordance with ASTM E-283-04 at a cross pressure of 1.57 psf (75 Pa).
 3. Water Penetration under Static Pressure: System shall not evidence uncontrolled water penetration at a cross pressure of 2.92 psf (180 Pa) when tested in accordance with ASTM-E331-00.

2.3 ALUMINUM SLIDING GLASS DOORS - BOTTOM ROLLER SUPPORTED

- A. Product: Max Slider - Cancun Series as manufactured by PRL Glass Systems, Inc.
- B. Hardware:
 1. Locks shall be stainless steel.
 2. Pull handles shall be stainless steel, aluminum or brass/bronze.
 3. Sliding wheels shall be a minimum diameter of 3 inches (76 mm) and be 100% stainless steel. No exceptions.
- C. Performance:
 1. Rating: Provide Sliding Aluminum doors for exterior use that have a minimum AAMA - 101 rating of R-PG15-SD when the sill height is less than 5/8 inch (16 mm).
 2. Rating: Provide Sliding Aluminum doors for exterior use that have a minimum AAMA - 101 rating of CW-PG35-SD when the sill height is greater than 5/8 inch (16 mm).
 3. Air Infiltration: Limit air leakage through fixed glazing and frames to 0.30 cfm/ft²/min (1.50 L/s/m²) when tested in accordance with ASTM E-283-04 at a cross pressure of 1.57 psf (75 Pa).
 4. Water Penetration under Static Pressure: System shall not evidence uncontrolled water penetration at a cross pressure of 2.92 psf (180 Pa) when tested in accordance with ASTM-E331-00.
 5. Large Missile Impact: Design and fabrication shall meet the performance requirements in the referenced test procedures for a +1676/-2873 Pa (+35/-60 psf) design pressure with missile impacts corresponding to Missile Level D and Wind Zone 3 for a Basic Protection Rating. (Laminated I.G. 1-1/8 inches (29 mm) I.G. Marine glazed into a rubber glazing gasket.

2.4 MATERIALS

- A. Extrusions: Frames, assembly clips, trims and miscellaneous extrusions shall be extruded from 6063-T6 aluminum alloy.
- B. Glazing Gaskets: Marine type glazing gaskets shall meet the requirements of ASTM D-2287.

2.5 FABRICATION

- A. Comply with the applicable provisions of the AAMA windows and sliding glass doors manual for materials, fabrication and installation of doors and components.

2.6 FINISH

- A. Class II clear anodized aluminum shall conform to AA-M12-C22-A31.
- B. Class I clear anodized aluminum shall conform to AA-M12-C22-A41.
- C. Class II color anodized aluminum shall conform to AA-M12-C22-A34.
 1. Color: Champagne.
 2. Color: Light Bronze.
 3. Color: Medium Bronze.
 4. Color: Dark Bronze.

ALUM. SLIDERS - 3

5. Color: Black.
- D. Class I color anodized aluminum shall conform to AA-M12-C22-A44.
1. Color: Champagne.
 2. Color: Light Bronze.
 3. Color: Medium Bronze.
 4. Color: Dark Bronze.
 5. Color: Black.
- E. Fluorocarbon finish complying with AAMA 2605.
1. Resin: 70% PVDF resin shall be Kynar using Kynar500/Hylar5000.
 2. Cleaned and pretreated with chromium phosphate
 3. Coat extrusions with approved primers to minimum dry film thickness of 0.20 mil (.0051 mm).
 4. Color coat shall be a minimum dry film thickness of 1.0 mil (.025 mm).
 5. Approved Coating Manufacturers: PPG Industries or Valspar Corp.

PART 3 EXECUTION

3.1 EXAMINATION

- A. Do not begin installation until substrates have been properly prepared.
- B. If substrate preparation is the responsibility of another installer, notify Architect of unsatisfactory preparation before proceeding.

3.2 PREPARATION

- A. Clean surfaces thoroughly prior to installation.
- B. Prepare surfaces using the methods recommended by the manufacturer for achieving the best result for the substrate under the project conditions.

3.3 INSTALLATION

- A. Install in accordance with manufacturer's instructions.

3.4 FIELD QUALITY CONTROL

- A. Owner will engage an independent AAMA approved testing agency.
- B. Conduct test under the supervision of and in the presence of the Owner, Architect, and Construction Manager.
- C. Test wall in accordance with AAMA 501.2-94.

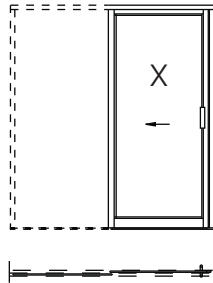
3.5 PROTECTION

- A. Protect installed products until completion of project.
- B. Touch-up, repair or replace damaged products before Substantial Completion.

END OF SECTION

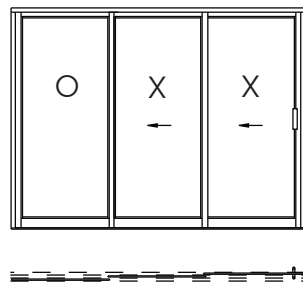
ALUM. SLIDERS - 4

PRL SL Series is a sliding door system designed as a versatile framed stacking system with a head/sill track, vertical jambs that allows unlimited adaptability with basic single pocket to multi slider configurations for areas where valuable space is critical.



Pocket System

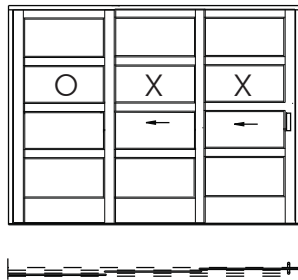
Pocket system is the SL-series basic configuration. as a one way slider, requires design professionals to consider wall space requirements on pocket applications or the use of an optional custom offset surface mount bracket system for interior applications.



Wall System

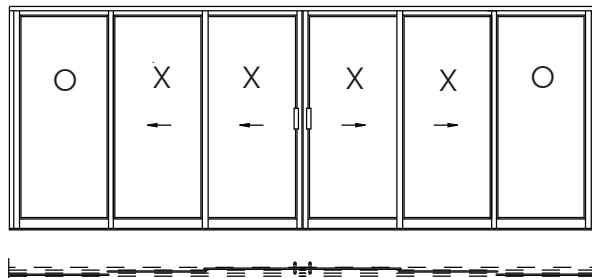
This is the intermediate one way inset surface mount frame configuration that maximizes space on light duty traffic areas.

In addition to the standard SL features it offers a one piece vertical single weather stripped interlock system that reduces slide open efforts on multiple panels at one time.



Custom System

Custom doors will add unlimited design advantages on metal, glass and hardware options. Other optional choices range from custom glass to exotic metal finishes. Stronger reinforced construction permits increasing door heights. Please be advised there is some limitations, please consult PRL Aluminum for details



Multi_Track System

Multi-Track maximizes the features of the stacking SL concept as two way, multiple track/panel system with unlimited applications.

Offers both standard and special features from basic configurations.

Features/Hardware

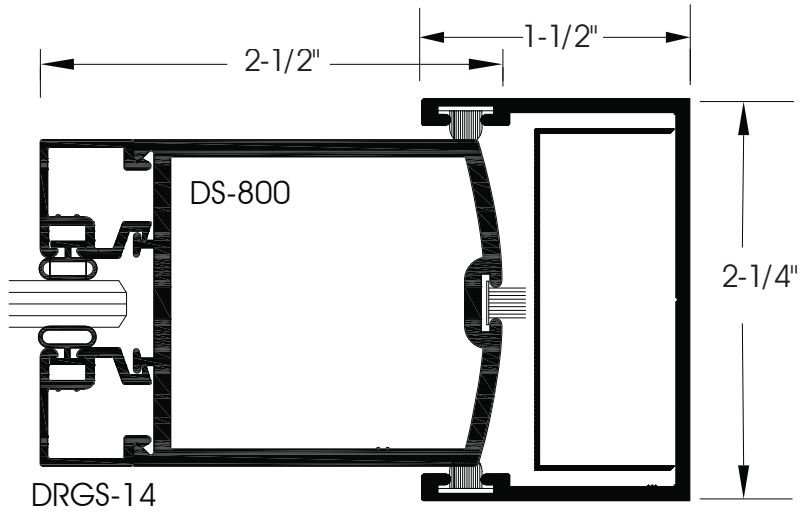
Bottom adjustable tandem rollers system will ease the open/close sliding efforts. Combination of weather stripped vertical stiles/head track and sill track minimizes the weather effects on exterior applications.

SL series standard hardware are flush handles, hooklock and cylinders. Other types of hardware are offered as options such as flush lockset or custom pulls.

SLIDING DOORS
1/4"-1" GLASS STOP
FULL SCALE

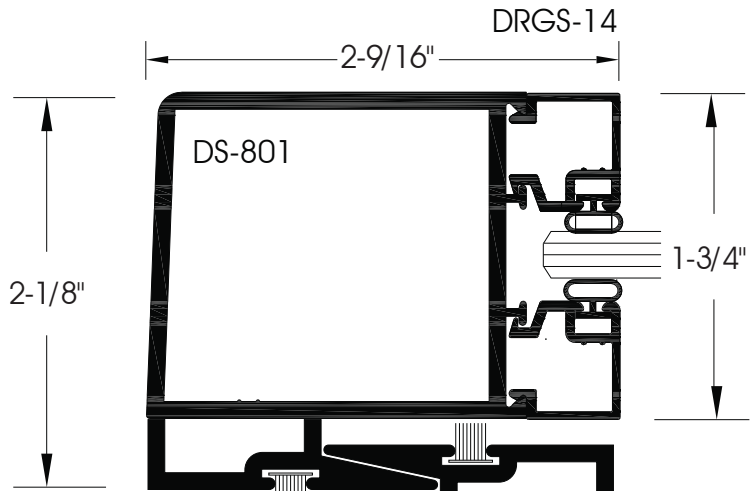


SL-NARROW STYLE
 2" VERTICAL STILE

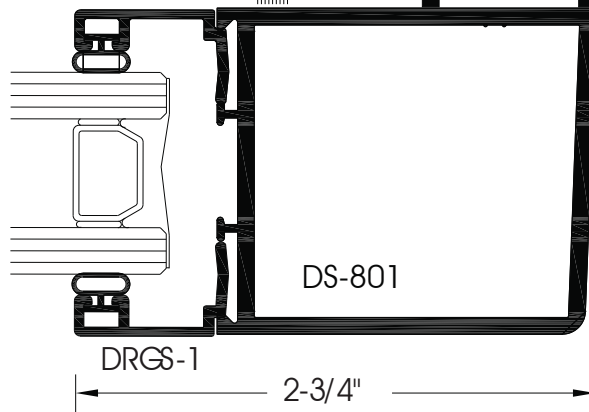


SL-RADIUS STYLE
 1/4" GLASS STOP

SL-OFFSET STYLE
 1/4" GLASS STOP



SL-OFFSET STYLE
 1" GLASS STOP



MATERIAL: 6063-T5 aluminum alloy.

FINISH: Standard finishes are mill, clear and bronze anodized. All others are special order.

NOTES: Storefronts are available in quick set or screw race, please consult PRL aluminum for details

ALUM. SLIDERS - 6

ph: (877) 775-2586
 fx: (877) 274-8800

14760 Don Julian Rd.
 Industry, CA 91746

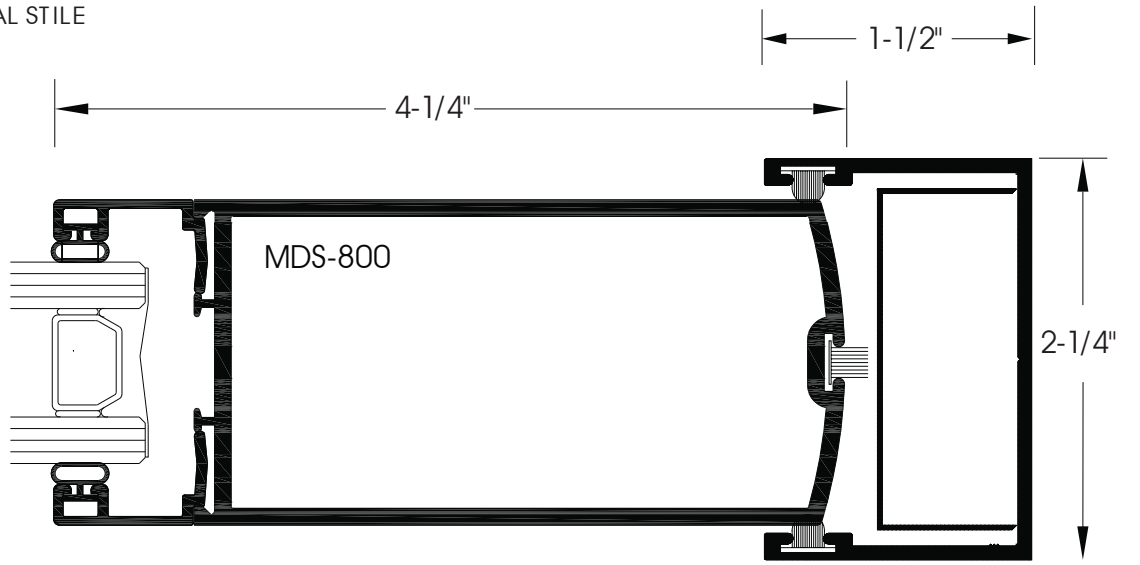
www.prlaluminum.com
 sales@prlaluminum.com

SLIDING DOORS
1/4"-1" GLASS STOP
FULL SCALE

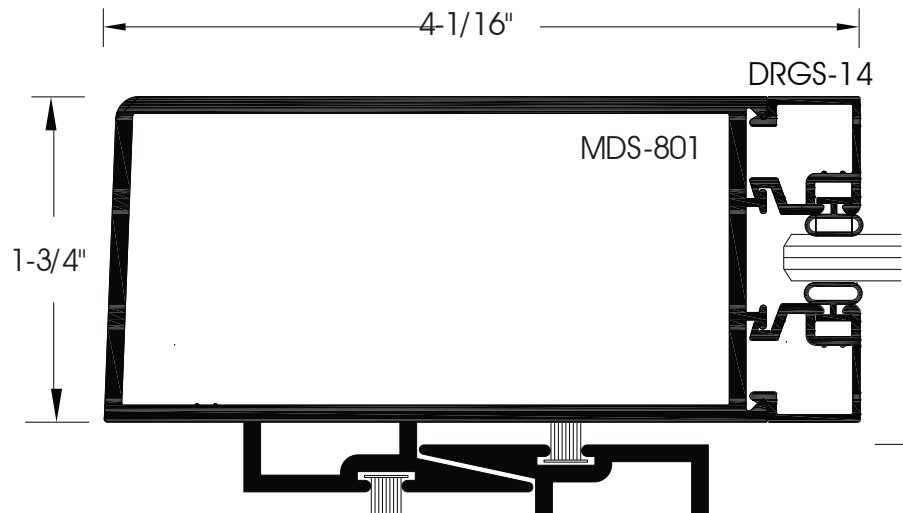


SL-MEDIUM STYLE
 3 1/2" VERTICAL STILE

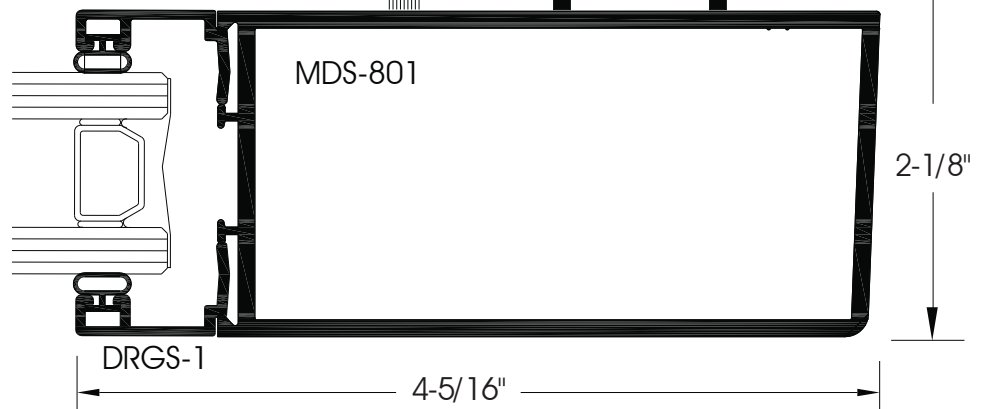
SL-RADIUS STYLES
 1" GLASS STOP



SL-OFFSET STYLE
 1/4" GLASS STOP



SL-OFFSET STYLE
 1" GLASS STOP



MATERIAL: 6063-T5 aluminum alloy.

FINISH: Standard finishes are mill, clear and bronze anodized. All others are special order.

NOTES: Storefronts are available in quick set or screw race, please consult PRL aluminum for details

ALUM. SLIDERS - 7

ph: (877) 775-2586
 fx: (877) 274-8800

14760 Don Julian Rd.
 Industry, CA 91746

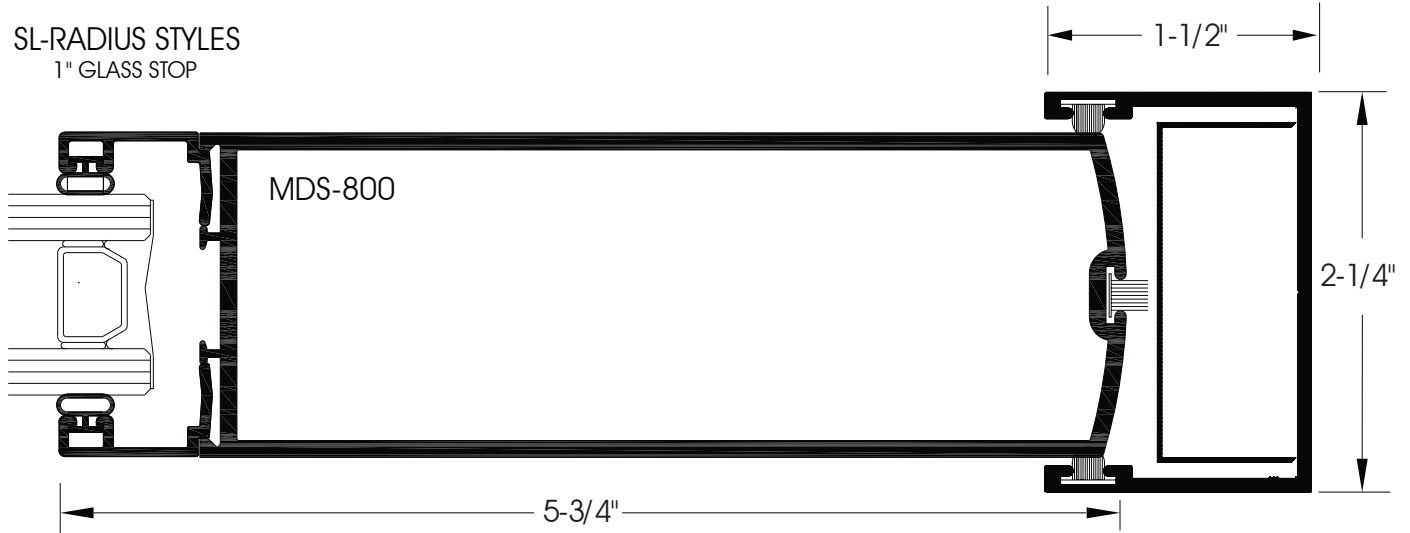
www.prlaluminum.com
 sales@prlaluminum.com

SLIDING DOORS
1/4"-1" GLASS STOP
FULL SCALE

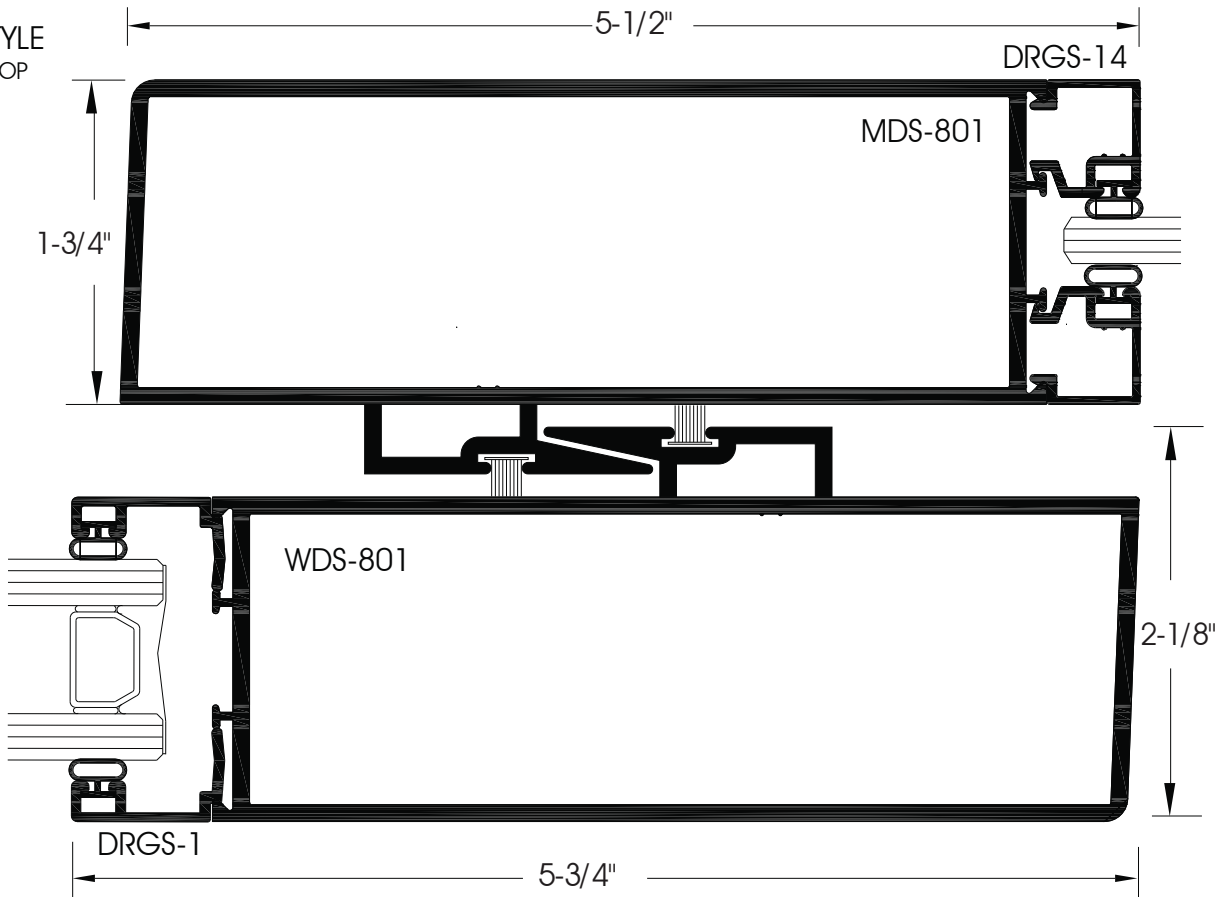


SL-WIDE STYLE
 3 1/2" VERTICAL STILE

SL-RADIUS STYLES
 1" GLASS STOP



SL-OFFSET STYLE
 1/4" GLASS STOP



MATERIAL: 6063-T5 aluminum alloy.

FINISH: Standard finishes are mill, clear and bronze anodized. All others are special order.

NOTES: Storefronts are available in quick set or screw race, please consult PRL aluminum for details

ALUM. SLIDERS - 8

ph: (877) 775-2586
 fx: (877) 274-8800

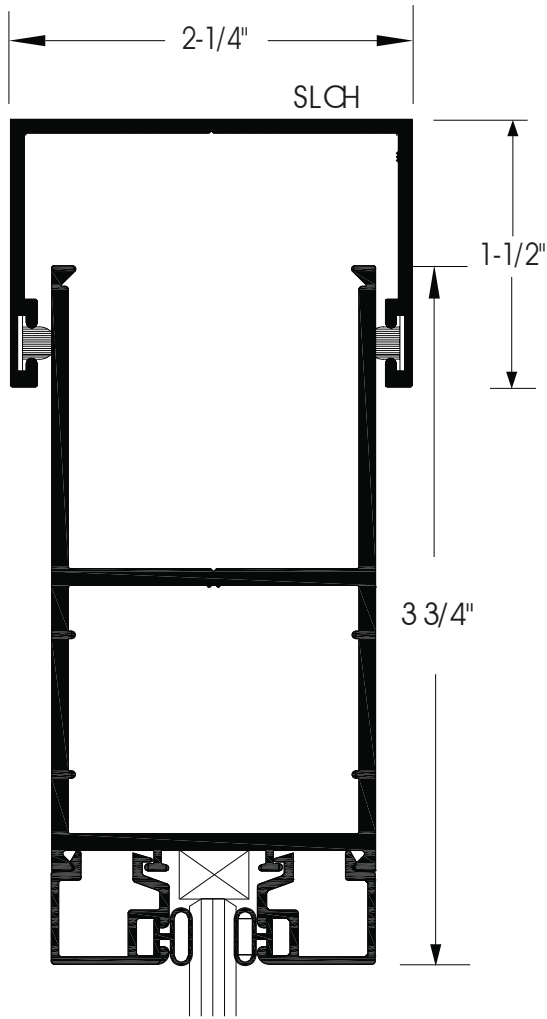
14760 Don Julian Rd.
 Industry, CA 91746

www.prlaluminum.com
 sales@prlaluminum.com

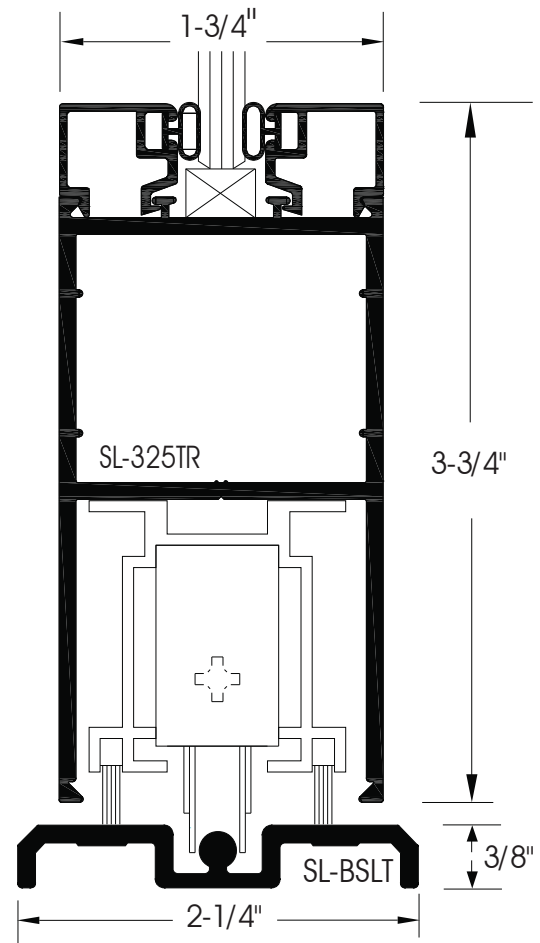
SLIDING DOORS
 1/4"-1" GLASS STOP
 FULL SCALE



SL- STYLE
 3 1/4" RAIL



SL-TOP
 RAIL
 1/4" GLASS STOP



SL-BOTTOM
 RAIL
 1/4" GLASS STOP

MATERIAL: 6063-T5 aluminum alloy.

FINISH: Standard finishes are mill, clear and bronze anodized. All others are special order.

NOTES: Storefronts are available in quick set or screw race, please consult PRL aluminum for details

ALUM. SLIDERS - 9

ph: (877) 775-2586
 fx: (877) 274-8800

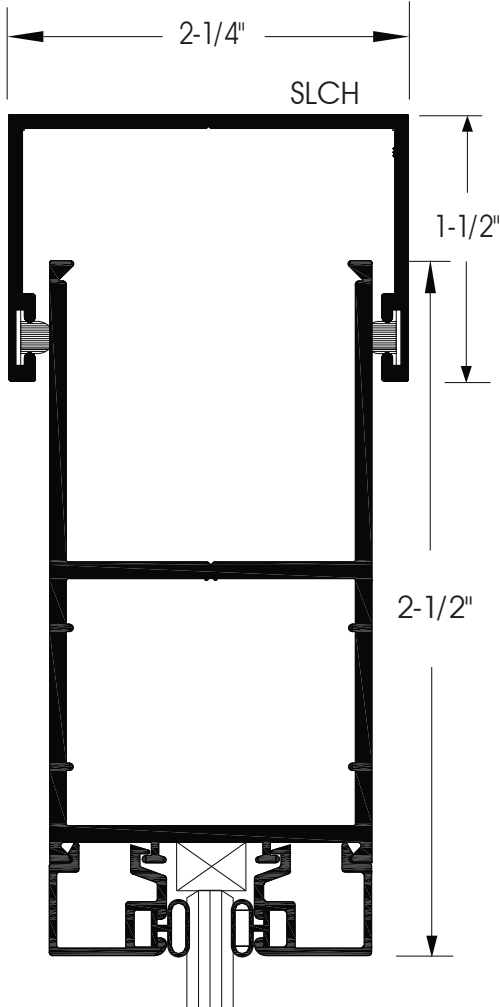
14760 Don Julian Rd.
 Industry, CA 91746

www.prlaluminum.com
 sales@prlaluminum.com

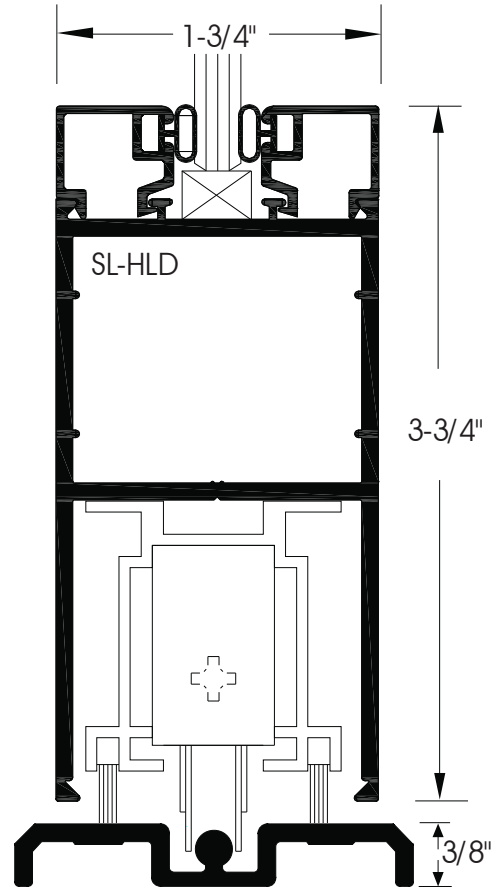
SLIDING DOORS
 1/4"-1" GLASS STOP
 FULL SCALE



SL- STYLE
 3 1/4" RAIL



SL-TOP
 RAIL
 1/4" GLASS STOP



SL-BOTTOM
 RAIL
 1/4" GLASS STOP

MATERIAL: 6063-T5 aluminum alloy.

FINISH: Standard finishes are mill, clear and bronze anodized. All others are special order.

NOTES: Storefronts are available in quick set or screw race, please consult PRL aluminum for details

ALUM. SLIDERS - 10

14760 Don Julian Rd.
 Industry, CA 91746

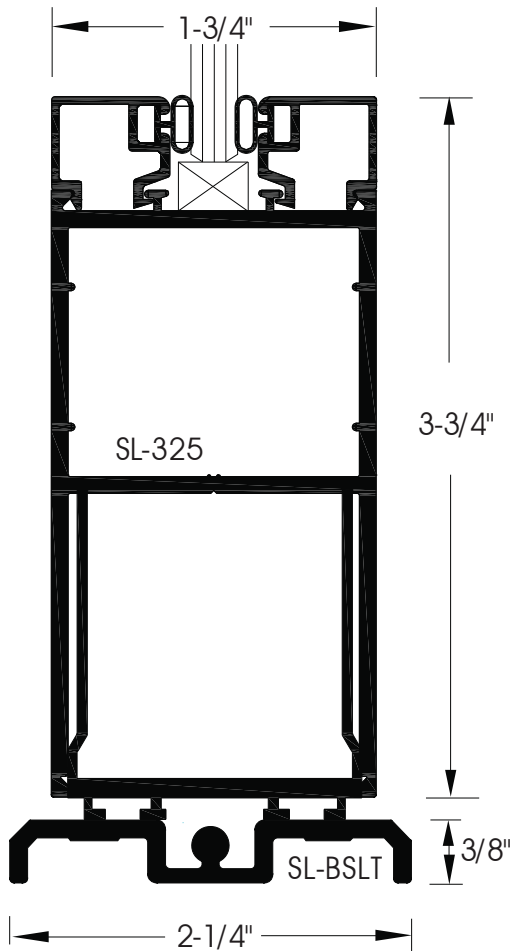
ph: (877) 775-2586
 fx: (877) 274-8800

www.prlaluminum.com
 sales@prlaluminum.com

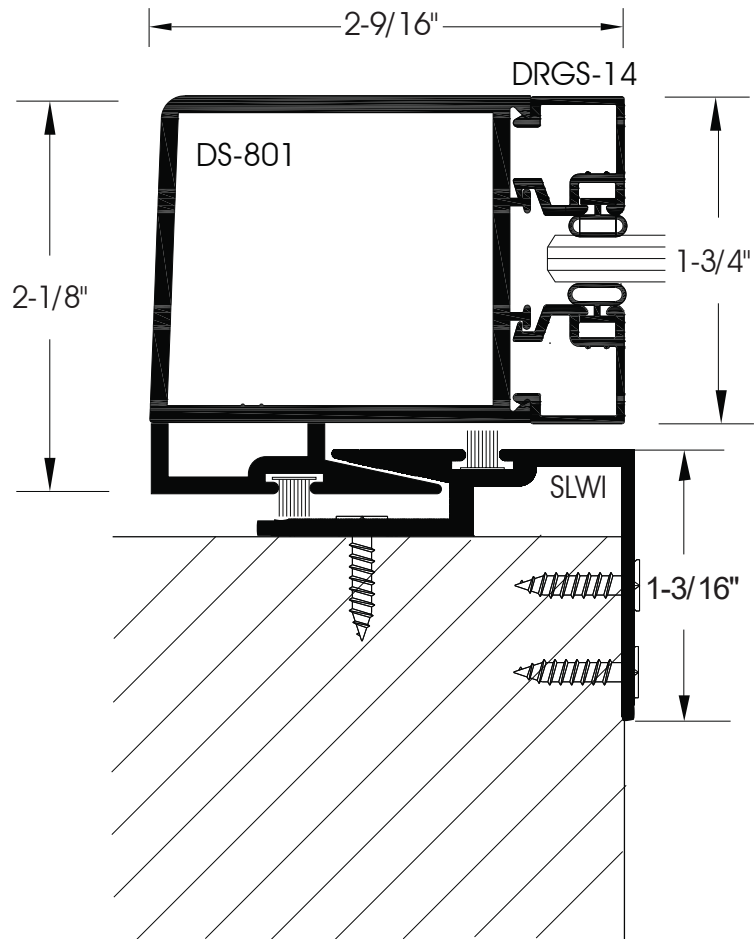
SLIDING DOORS
 1/4"-1" GLASS STOP
 FULL SCALE



SL- STYLE
 3 1/4" RAIL



SL-BOTTOM RAIL
 + BULK HEAD
 1/4" GLASS STOP



SL-STILE
 1" GLASS STOP

MATERIAL: 6063-T5 aluminum alloy.

FINISH: Standard finishes are mill, clear and bronze anodized. All others are special order.

NOTES: Storefronts are available in quick set or screw race, please consult PRL aluminum for details

ALUM. SLIDERS - 11

14760 Don Julian Rd.
 Industry, CA 91746

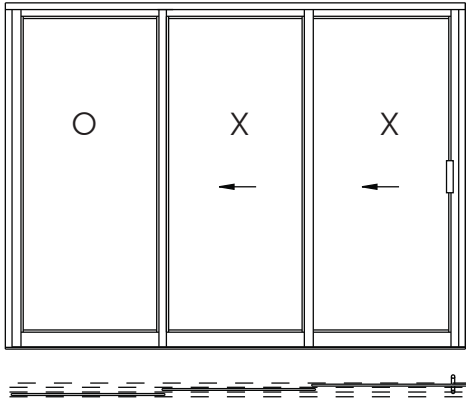
ph: (877) 775-2586
 fx: (877) 274-8800

www.prlaluminum.com
 sales@prlaluminum.com

SLIDING DOORS
1/4"-1" GLASS STOP
FULL SCALE

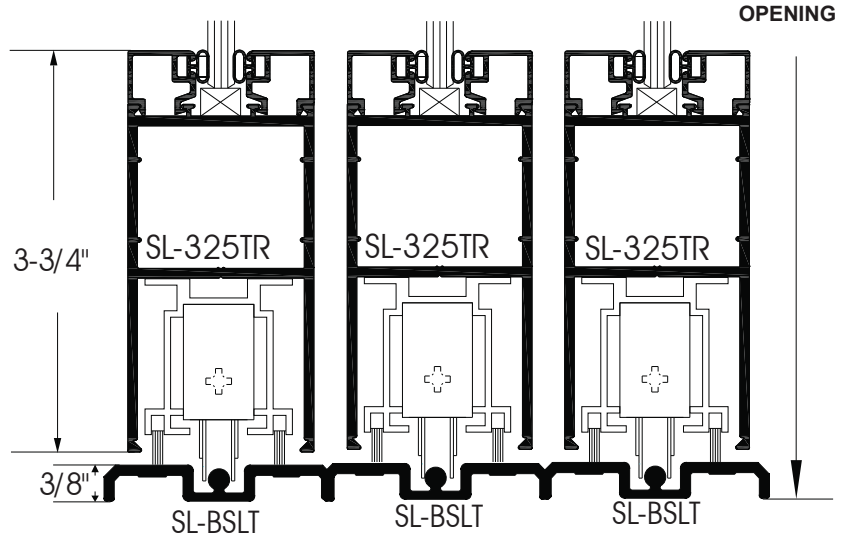
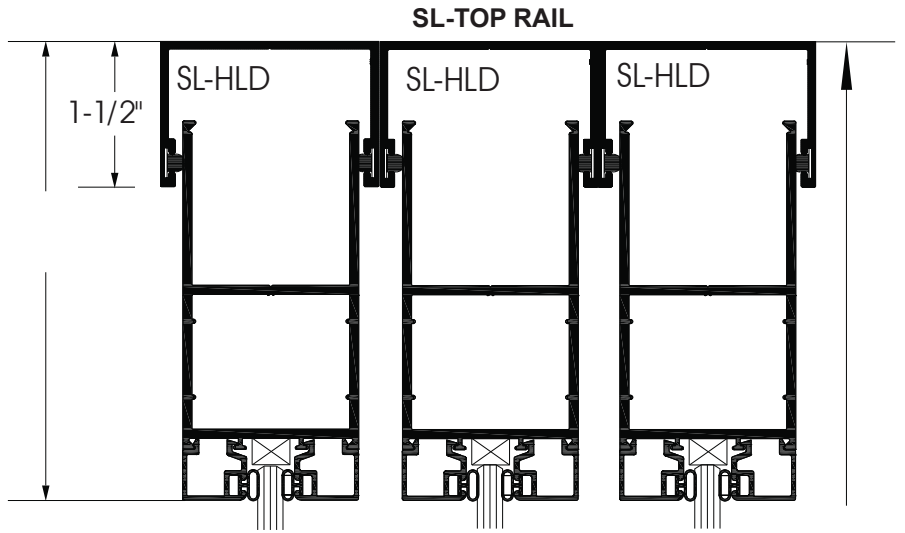
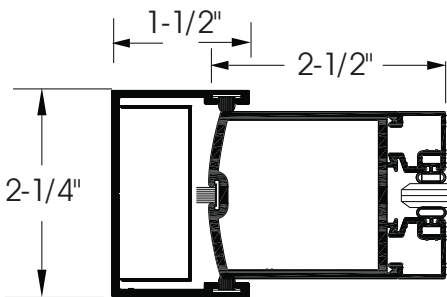


**WALL SYSTEM
 DETAILS**

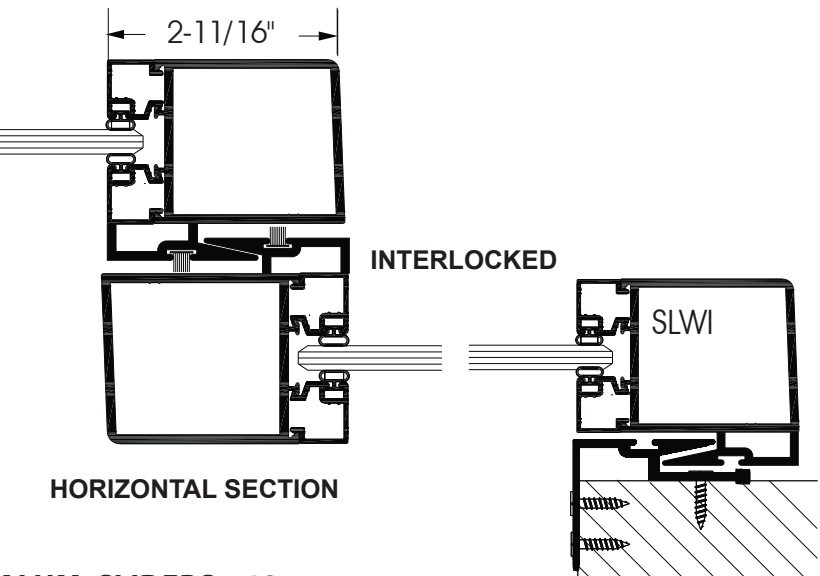


**INTERLOCKED
 WALL SYSTEM
 HEAT ELEVATION**

SL-JAMB



VERTICAL SECTION



HORIZONTAL SECTION

ALUM. SLIDERS - 12

14760 Don Julian Rd.
 Industry, CA 91746

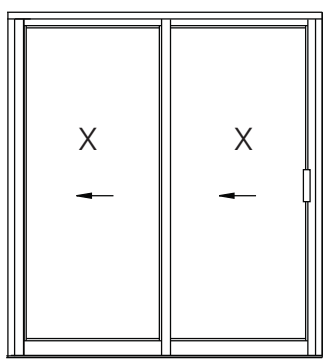
ph: (877) 775-2586
 fx: (877) 274-8800

www.prlaluminum.com
sales@prlaluminum.com

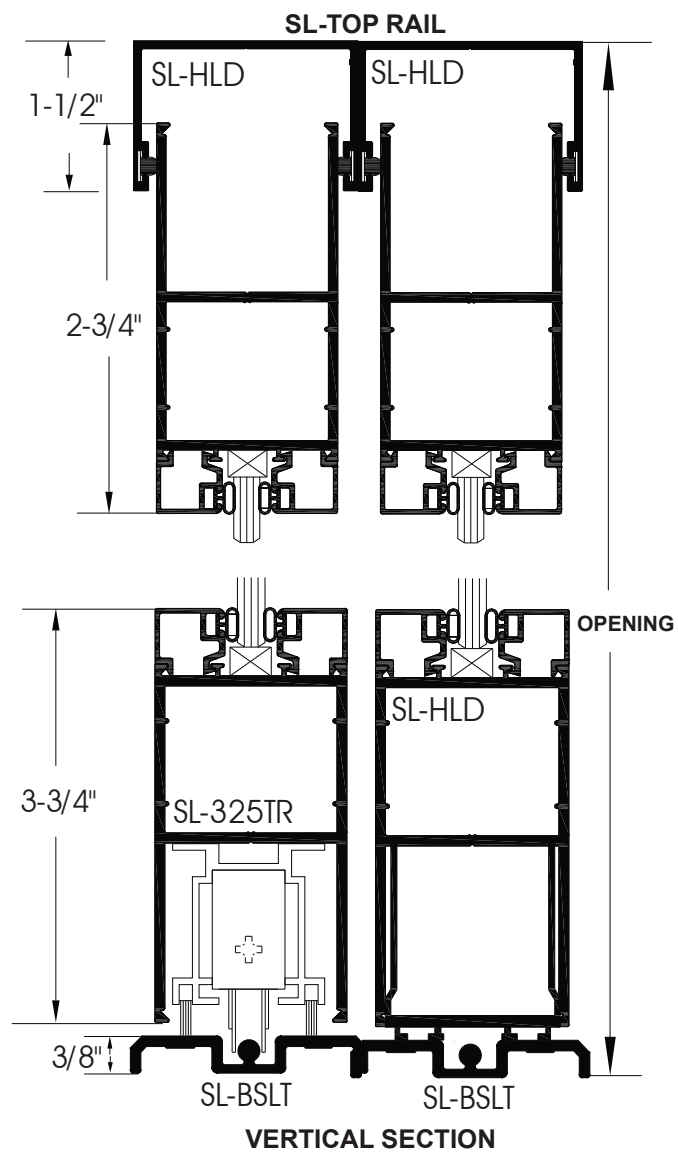
SLIDING DOORS
1/4"-1" GLASS STOP
FULL SCALE



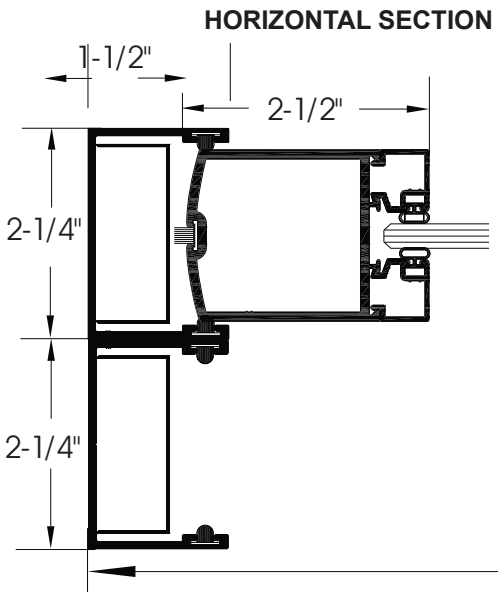
**WALL SYSTEM
 DETAILS**



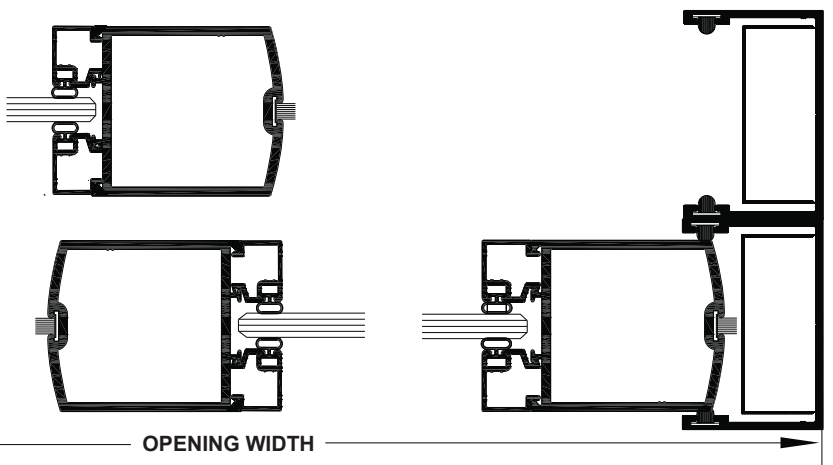
**SLIDER WALL SYSTEM
 ELEVATION**



VERTICAL SECTION



HORIZONTAL SECTION



OPENING WIDTH

ALUM. SLIDERS - 13

ph: (877) 775-2586
 fx: (877) 274-8800

14760 Don Julian Rd.
 Industry, CA 91746

www.prlaluminum.com
 sales@prlaluminum.com